



科海光器件

LC CONNECTOR



APPLICATIONS

- Gigabit Ethernet
- Telecommunication networks
- Multimedia
- Active device termination
- Video
- Premise installations

FEATURES

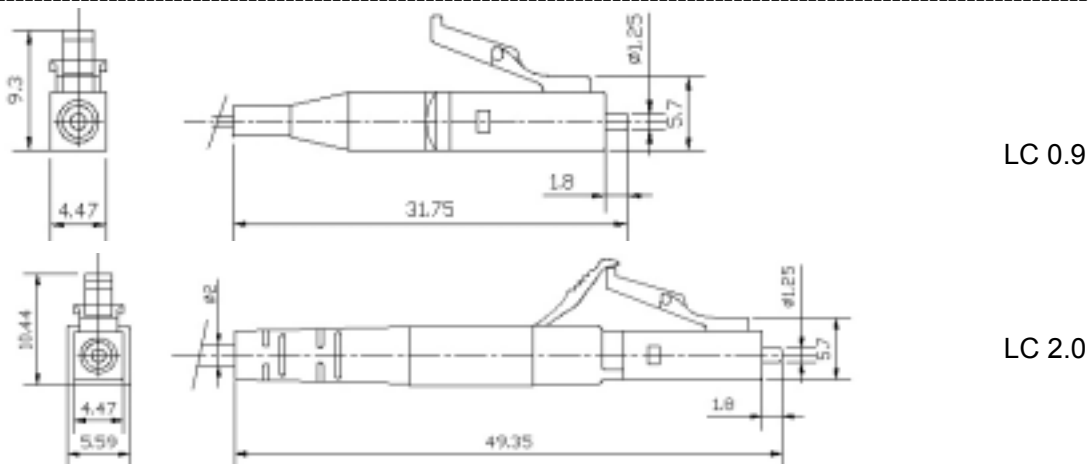
- Low insertion loss and back reflection loss
- Polarized and color coded (TIA568-A & ISO 11801)
- High precision alignment
- Behind-the-Wall style short connector
- RJ-45 style interface
- UL-rated plastic housing and boot
- Compact, pull-proof design

AVAILABILITY

- The connector can be supplied as a pre-assembled one-piece connector or as connector kits.
- Clips are available for duplex connectors
- Housing kits without ferrule are available.
- LC/PC and LC/APC are available.

SPECIFICATIONS

	Single mode	Multimode
Insertion Loss	<0.20dB	<0.25dB
Return Loss	≥55 dB (PC) ≥65 dB (APC)	
Durability	<0.2dB typical change, 1000 matings	
Operating Temperature	-40 to + 85°C	-40 to + 85°C
Ferrule Hole Sizes	125.0+1/-0μm, Concentricity: ≤1.0μm 125.5+1/-0μm, Concentricity: ≤1.0μm 126.0+1/-0μm, Concentricity: ≤1.0μm	127μm, Concentricity: 1≤3μm



LC 0.9

LC 2.0