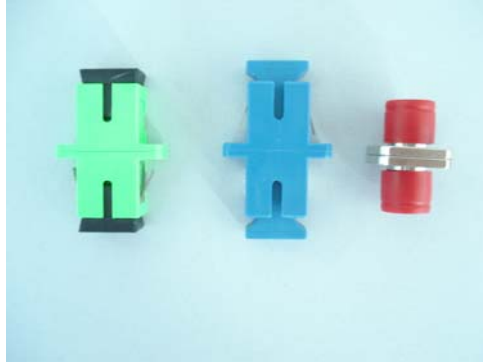




科海光器件

Adapter Type Attenuator

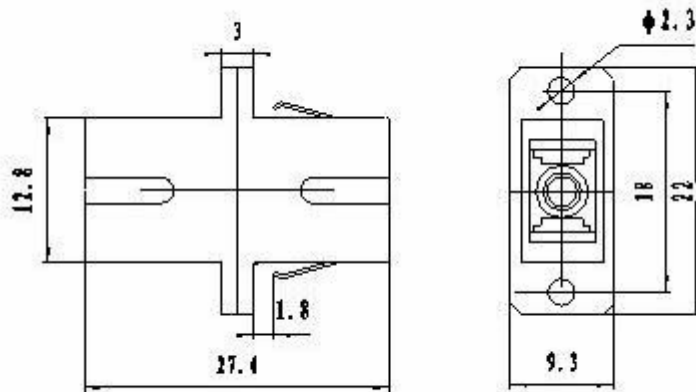


Application:	Low Insertion Loss Deviation
	Fiber Optic Communication Systems
	Variable of attenuation ways and a bound of connector types
	Fixed Type
	Local Area Networks (LAN)

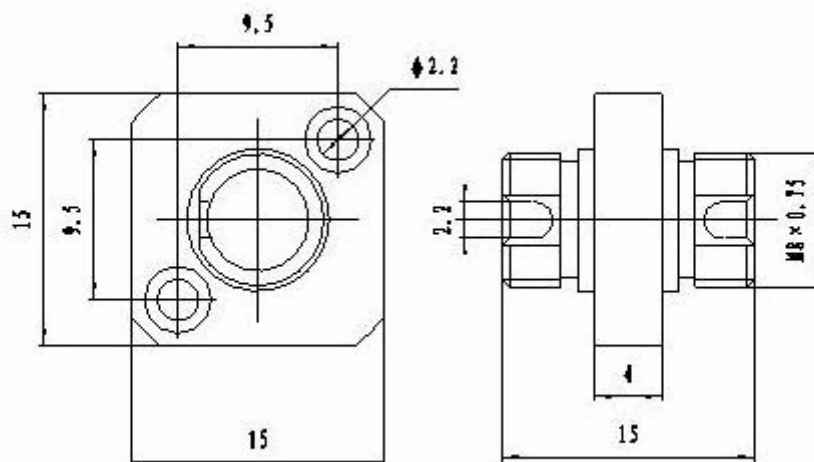
SPECIFICATIONS:	
Attenuation Range:	0-30dB
Available Wavelengths:	1310nm or 1550nm
Fixed attenuation value:	1、 2、 3、 5、 10、 15、 20dB or optional
Return Loss:	≥50 dB (SPC)
	≥60 dB (APC)
Polarization Dependent Loss:	≤0.2dB
Temperature Range:	-40℃ -80℃
Humidity Range:	+/- 0.2 dB Change in 10% to 90% relative Humidity Range.
Vibration:	≤0.1 dB change between 10Hz to 55Hz.
Drop:	+/- 0.2dB after 8 drops (3 axes) from 1.8 meters onto a hard surface.

Outline Drawing

SC-TYPE:



FC-TYPE:



Order Information:

Connector type	Typical attenuation value	Attenuation form
FC-FC	1、 2、 3、 5、 10、 15、 20dB or optional	Isolation type、 Variable type
SC-SC		Isolation type
FC-SC		Isolation type
SC-ST		Isolation type
LC-LC		